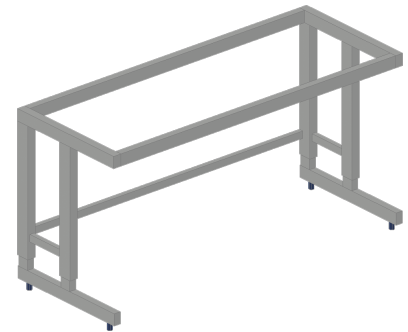


L - frame

- The indented vertical frame improves ergonomics especially when sitting down.
- Under-desk furniture is fitted onto the desk frame, leaving the floor clear. This solution allows furniture to be moved horizontally to any location under the desk. The furniture can also be removed and placed under another desk easily. All frames have the same system for fittings.
- L - frame is also available with electrical height adjustment. See more information about electric tables [here](#).
- For Standard solutions we have selected high-quality and most commonly used options in terms of dimensions and materials.
- Custom solutions are always tailored to the customer's needs.
- Note. The figures in the table below indicate the worktop dimensions.



Standard

Description	Product code and standard depth [mm]	Width [mm]	Height, mm
L - frame, manual height adjustment	RL-W-600-H	500-2300	700-900
	RL-W-800-H	500-2300	700-900
L - frame, electric height adjustment	RL-W-600-S	600-2300	adjustment range from 670 to 1320
	RL-W-800-S	600-2300	adjustment range from 670 to 1320

Custom


In addition to Standard solutions, we also implement workstations according to customer's wishes. In Custom solutions, dimensions, materials and equipment are completely up to the customer.

Feel free to contact our experts and we will find suitable solutions together!

Features

Installation	Free-standing on the floor, adjustable pads as standard. Note. Desks with sinks must be secured in place.
Materials	Powder coated steel.

VISU KALUSTE OY

 Eeliksentie 6, 34870 Visuvesi, Finland

 visu@visu.fi

 +358 44 749 4940


 visu.fi




INNOSTAVIA YMPÄRISTÖJÄ
TIETEELLE JA TUTKIMUKSELLE

Worktop	Our collection offers a number of options for worktop material. Read more information under worktop materials .
Castors	The furniture can be equipped with castors (4 turning, of which 2 can be locked)
By order	The frame is also available with a lower level or a less deep lower shelf.

VISU KALUSTE OY

 Eeliksentie 6, 34870 Visuvesi, Finland

 visu@visu.fi

 +358 44 749 4940

 visu.fi