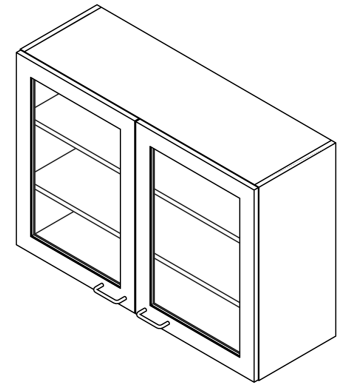




INNOSTAVIA YMPÄRISTÖJÄ
TIETEELLE JA TUTKIMUKSELLE

Drying Cabinet O-Y20K

- **Product name:** OPPILab drying cabinet
- **Product code:** O-Y20K
- **Intended use:** Drying of measuring glasses and other laboratory equipment
- **Suitable for:** Comprehensive schools and upper secondary schools
- **Construction:** Laminate cabinet construction
- **Shelves:** 3 straight stainless steel shelves
- **Drip tray:** Integrated drip tray in the lowest shelf
- **Width:** 600/800/1000/1200 mm
- **Depth:** 340 mm
- **Height:** 700 mm
- **Door options:** Open front, solid door, glazed frame door, or sliding glass doors
- **Colour:** White cabinet frame, doors available in white or coloured laminate
- **Accessories:** Lock, slanted top



VISU KALUSTE OY

📍 Eeliksentie 6, 34870 Visuvesi, Finland

✉️ visu@visu.fi

☎️ +358 44 749 4940

🌐 visu.fi